

CATFISH[®]
MINI DREDGERS

**INTRODUCTION TO CATFISH[™] MINI-
DREDGING AND DESLUDGING
SYSTEMS**

July 2011

UNMANNED AND REMOTE CONTROLLED



PUMP AND TRANSPORT TAILINGS, SLUDGE, SILT

CATFISH[®]
MINI DREDGERS

Mini Dredgers™,
36 Peninsula Blvd, Seaford, VIC 3198 (AUST)
PH. 0407-775-954
Email: info@pumppontoons.com
<http://www.pumppontoons.com>



CatFish™ Mini Dredgers

Easy Portability



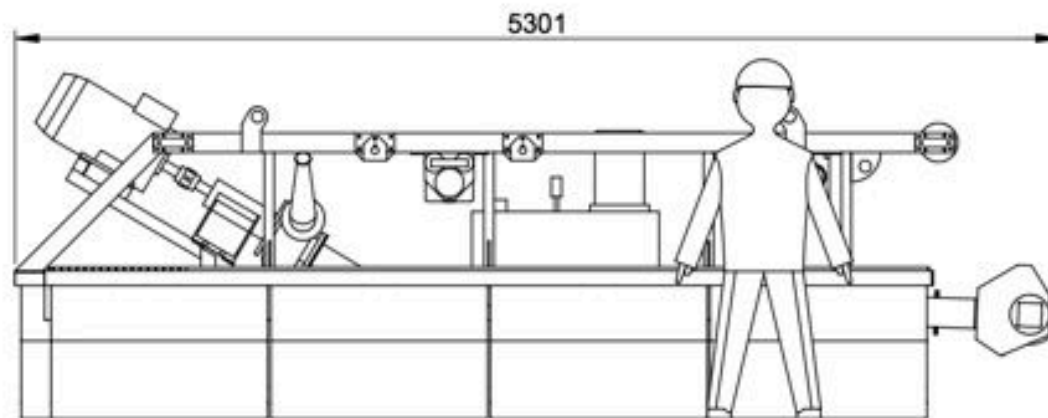
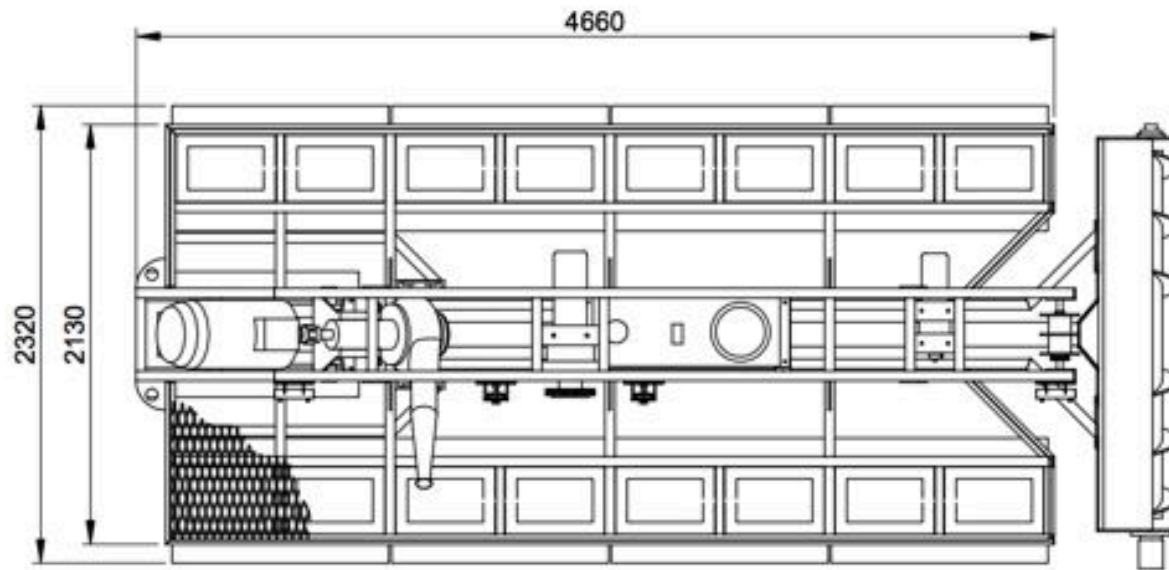
CatFish™ Mini Dredgers

Ground Anchors for Cable Anchoring

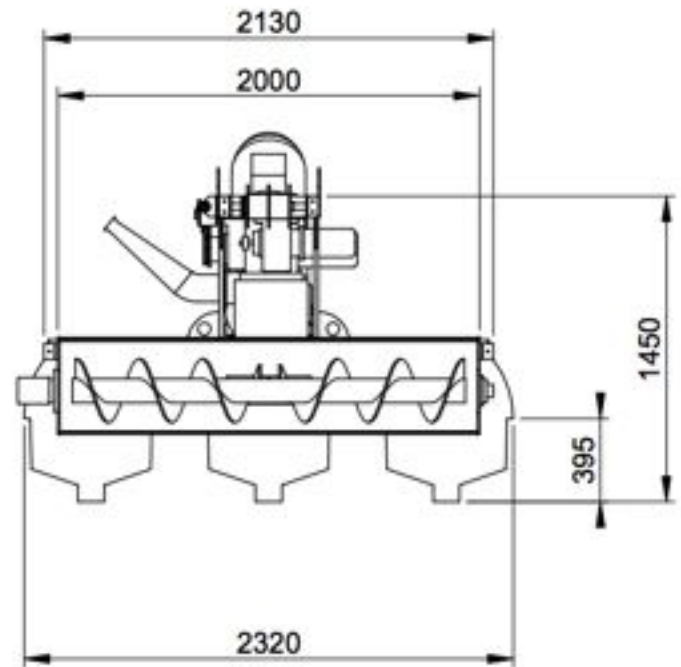
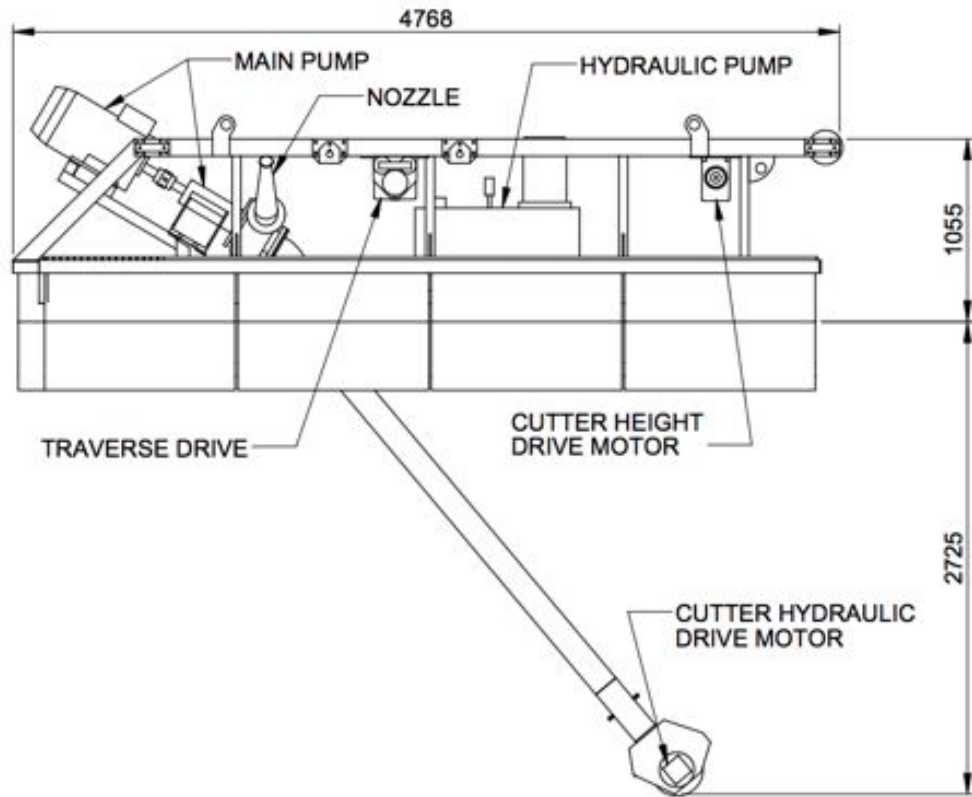


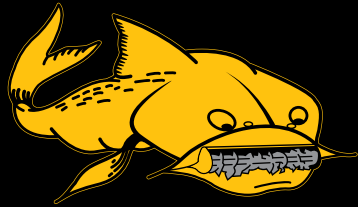
CatFish™ Mini Dredgers

Small Footprint



CatFish™ Mini Dredgers





CATFISH
MINI DREDGERS

Advantages of Catfish™ Mini- Dredgers:

- Easily Transportable
- Can operate in shallow water
- Unmanned
- Remote-controlled
- The Catfish™ robotic dredge moves via winches on steel cables stretched across the water
- The sludge or tailings can be pumped into our sludge dewatering geobags for cost effective dewatering



Mini Dredgers™ (trading as Roll-a-Pipe P/L)
Phone: +613 9782 5880
Factory: 0407 775 954 Office: 0407 261 913
Email: info@pumppontoons.com
Website: www.pumppontoons.com

**CatFish™
mini-dredgers-
compact,
robust, easily
transportable**



**Pump pontoons
for mine
dewatering are
also available**

