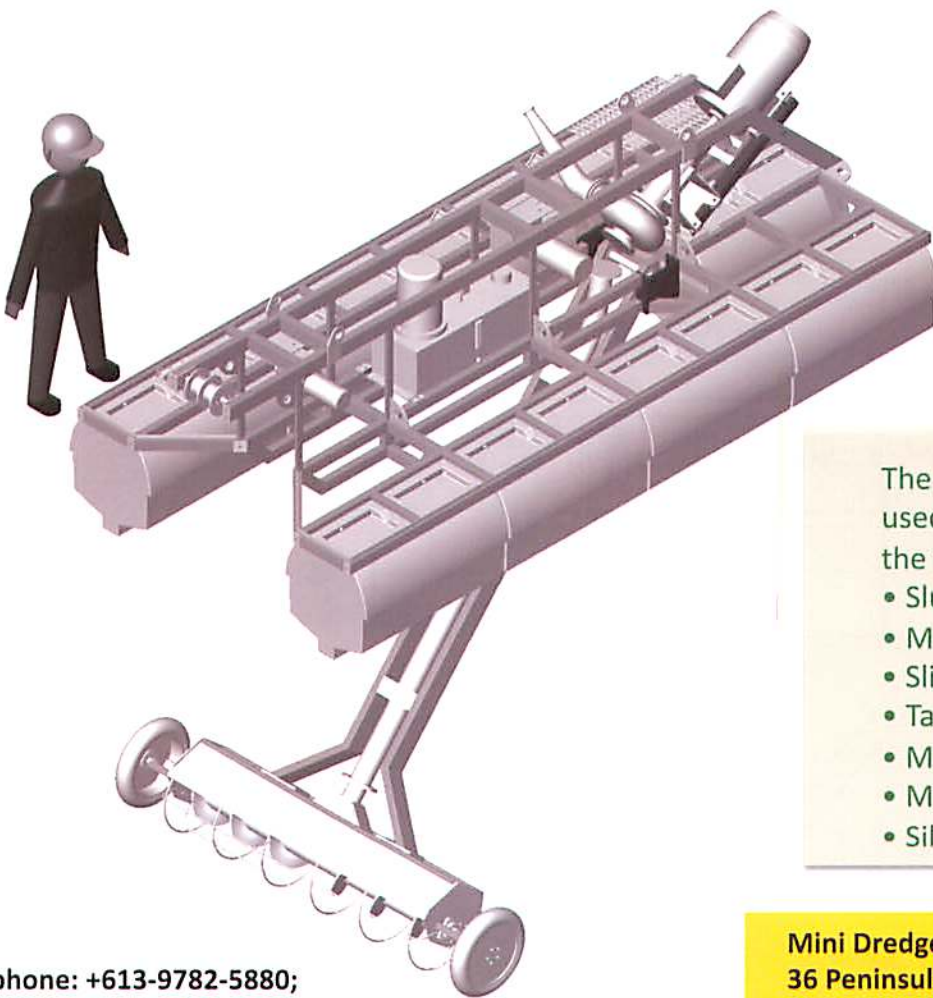


CATFISH[®]

MINI DREDGERS



CatFish[™] mini-dredgers- compact, robust, easily transportable



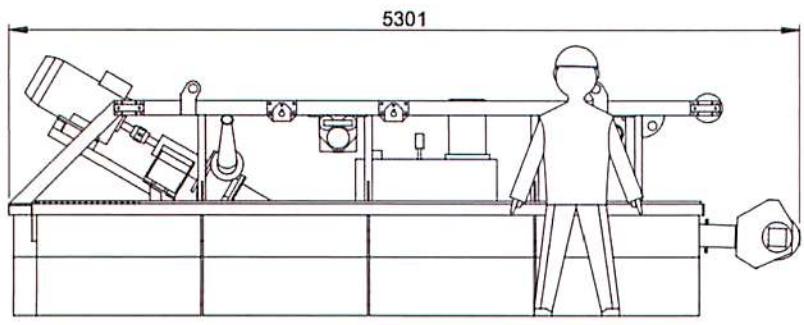
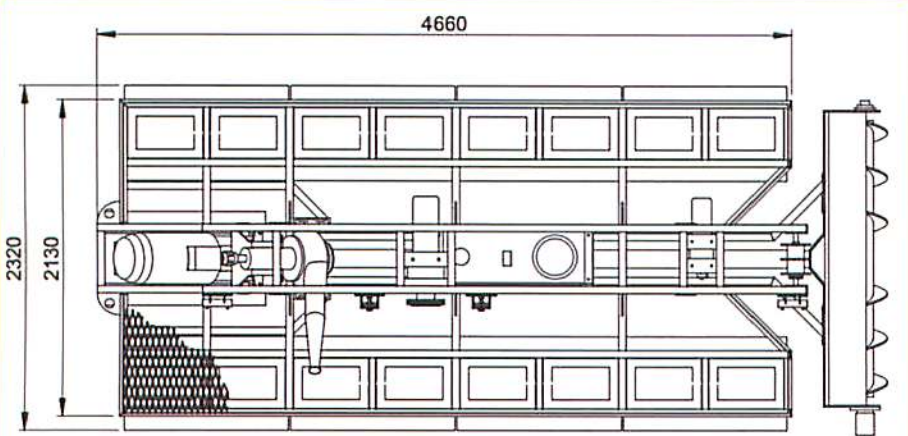
The CatFish[™] dredge can be used to dredge and transport the following:

- Sludges
- Mud
- Slimes
- Tailings
- Mineral Sands
- Mineral Concentrate
- Silts

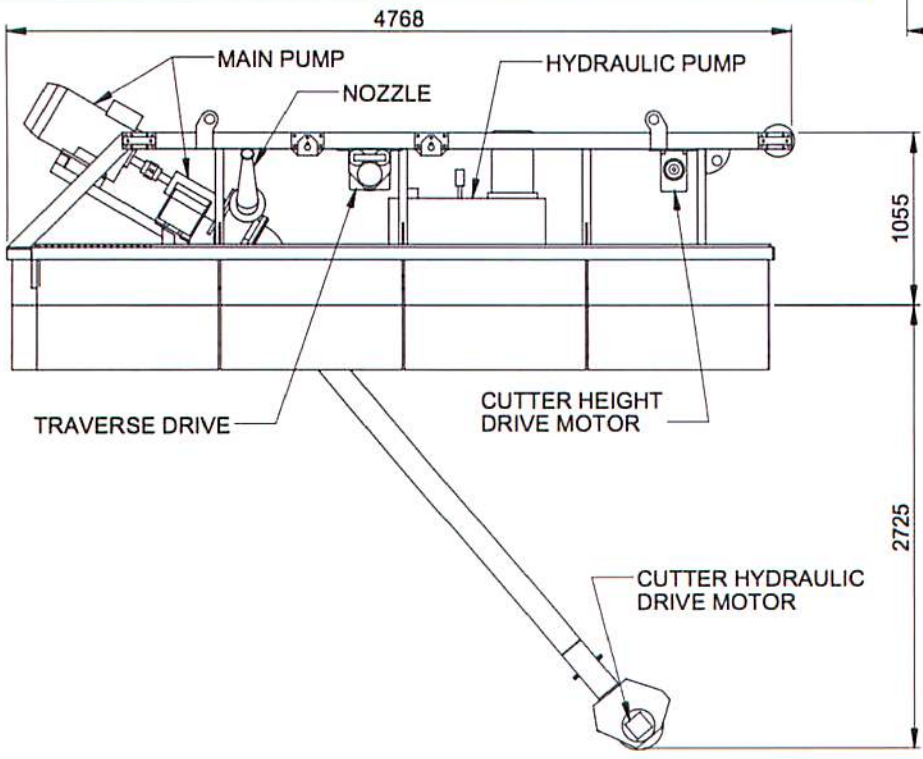
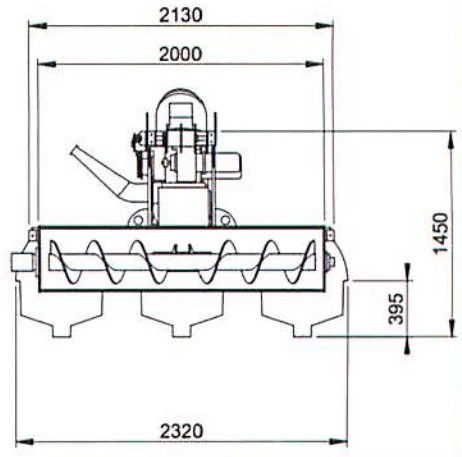
phone: +613-9782-5880;
0407-775-954 (factory)
0407-261-913 (office)

Mini Dredgers[™] (trading as Roll-a-Pipe P/L)
36 Peninsula Blvd, Seaford, VIC 3198 (AUST)
Email: info@pumppontoons.com
<http://www.pumppontoons.com>

CATFISH[®] MINI DREDGERS



- Advantages of Catfish™ Mini-Dredgers:
- Easily Transportable
 - Can operate in shallow water
 - Unmanned
 - Remote-controlled
 - The Catfish™ robotic dredge moves via winches on steel cables stretched across the water
 - The sludge or tailings can be pumped into our sludge dewatering geobags for cost effective dewatering



← WATER LINE

