

CATFISH[®]
MINI DREDGERS

**INTRODUCTION TO CATFISH[™] MINI-
DREDGING AND DESLUDGING
SYSTEMS**

July 2011

UNMANNED AND REMOTE CONTROLLED



PUMP AND TRANSPORT TAILINGS, SLUDGE, SILT

CATFISH[®]
MINI DREDGERS

Mini Dredgers™

473 Warrigal Rd (Rear Factory)

Moorabbin VIC 3189

Toll-free: 1800 DREDGE (373 343)

Email: info@dredgingservices.com.au

Website: www.dredgingservices.com.au



CatFish™ Mini Dredgers

Easy Portability



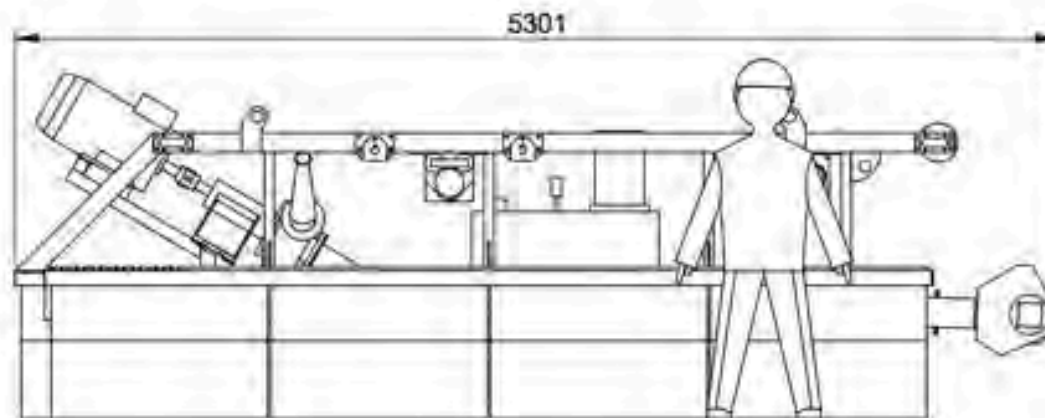
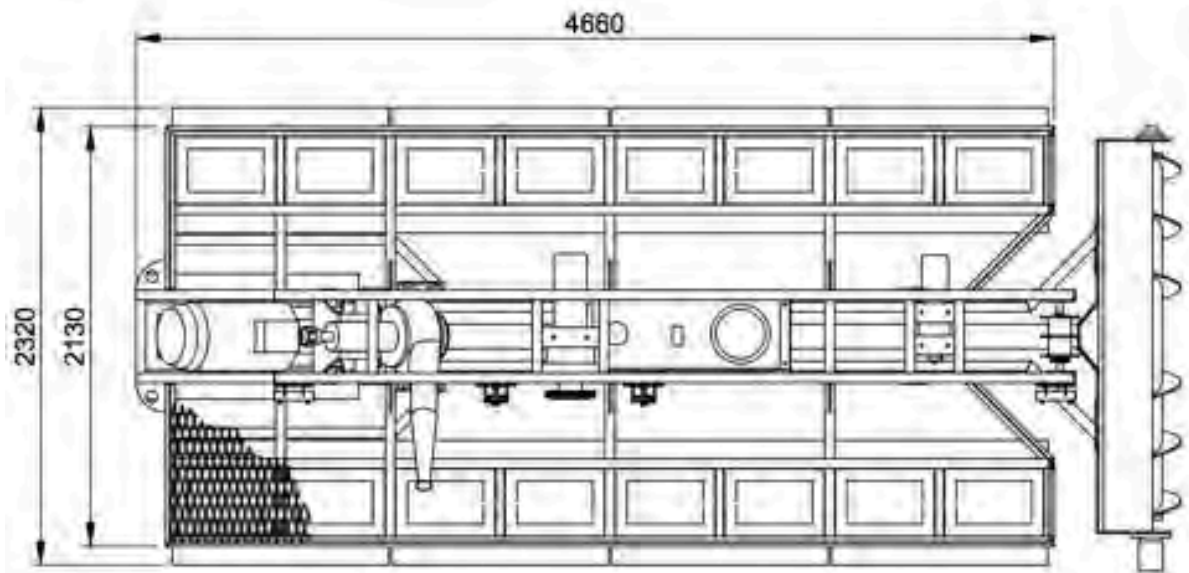
CatFish™ Mini Dredgers

Ground Anchors for Cable Anchoring

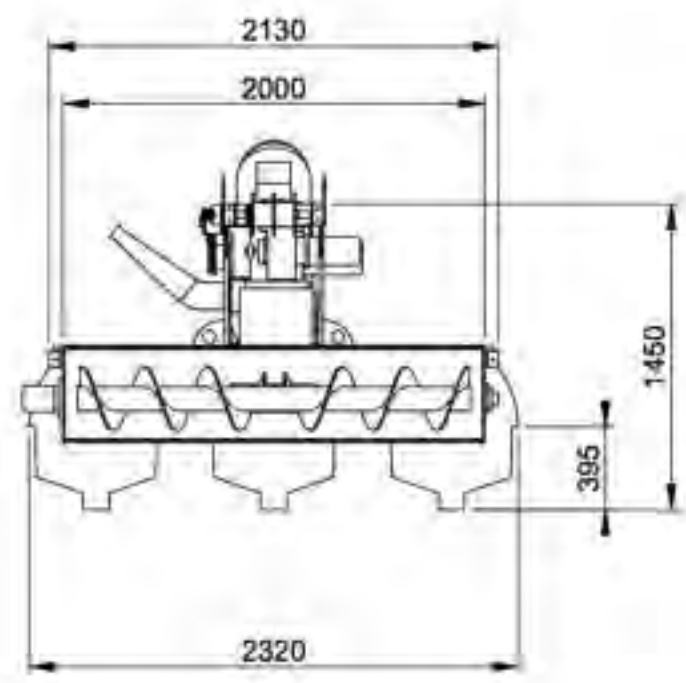
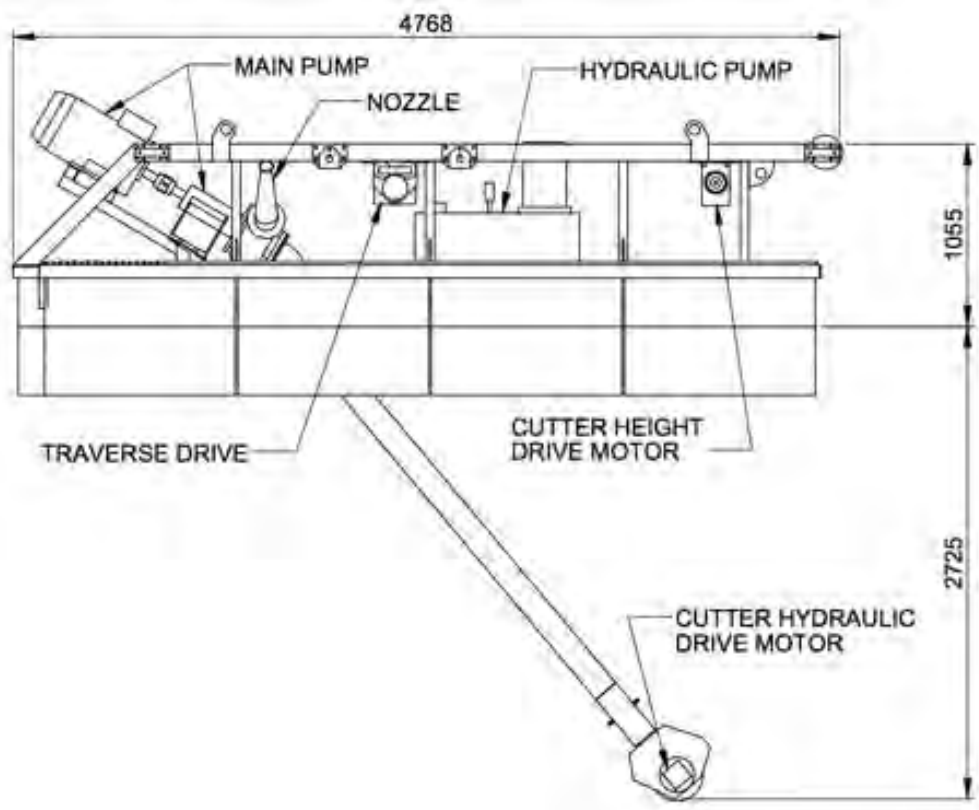


CatFish™ Mini Dredgers

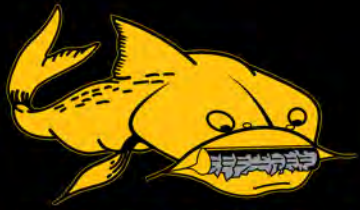
Small Footprint



CatFish™ Mini Dredgers



CatFish™ Mini Dredgers



CATFISH[®] MINI DREDGERS

Advantages of Catfish™ Mini- Dredgers:

- Easily Transportable
- Can operate in shallow water
- Unmanned
- Remote-controlled
- The Catfish™ robotic dredge moves via winches on steel cables stretched across the water
- The sludge or tailings can be pumped into our sludge dewatering geobags for cost effective dewatering



**CatFish™
mini-dredgers-
compact,
robust, easily
transportable**



**Pump pontoons
for mine
dewatering are
also available**

Mini Dredgers™

473 Warrigal Rd (Rear Factory)

Moorabbin VIC 3189

Toll-free: 1800 DREDGE (373 343)

Email: info@dredgingservices.com.au

Website: www.dredgingservices.com.au

