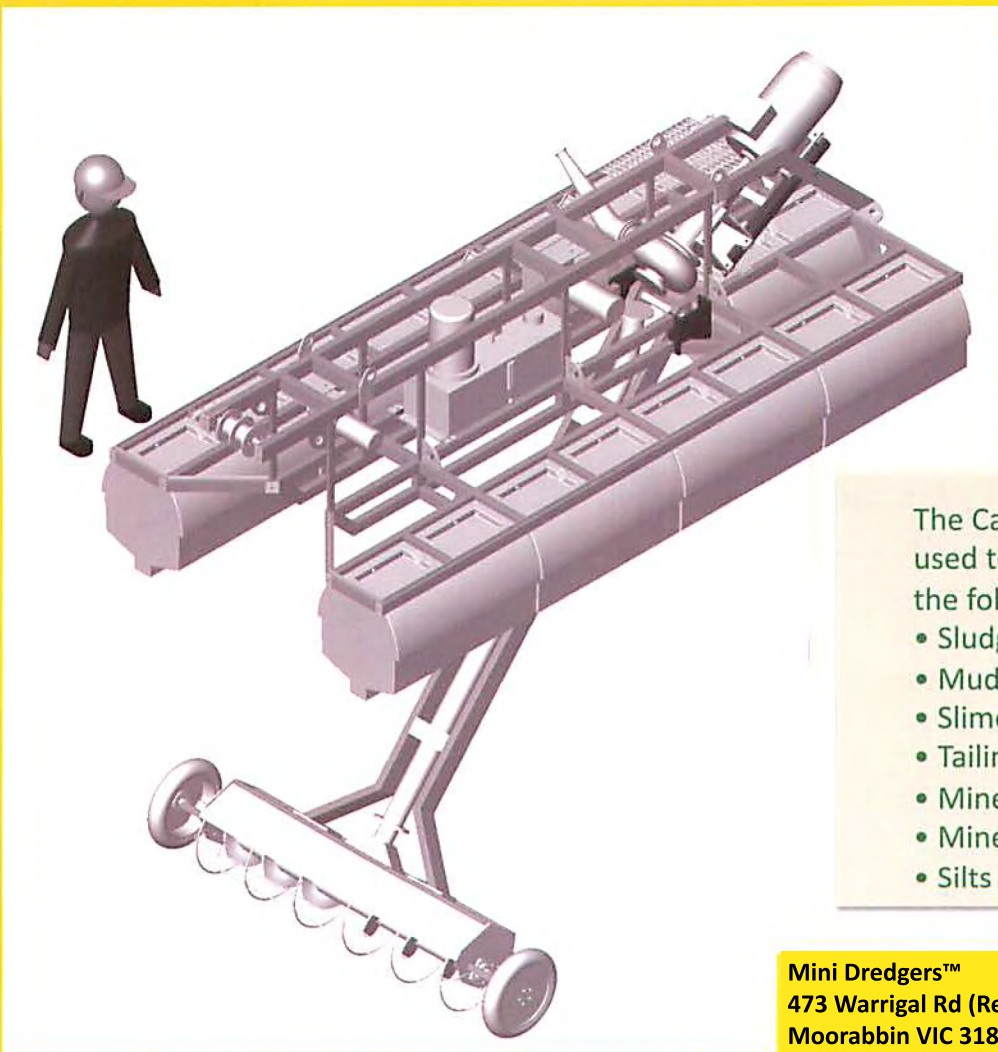


# CATFISH<sup>®</sup>

## MINI DREDGERS



CatFish™ mini-dredgers- compact, robust, easily transportable



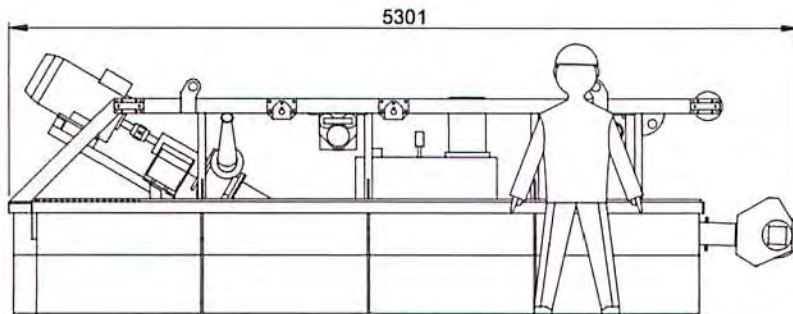
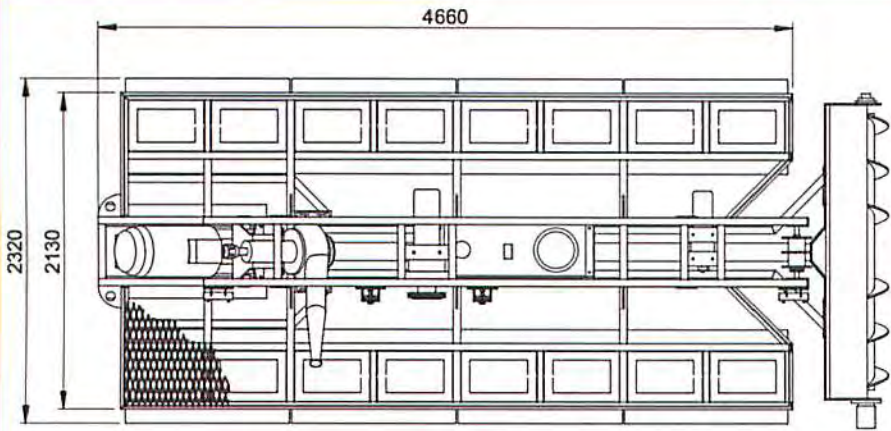
The CatFish™ dredge can be used to dredge and transport the following:

- Sludges
- Mud
- Slimes
- Tailings
- Mineral Sands
- Mineral Concentrate
- Silts

**Mini Dredgers™**  
473 Warrigal Rd (Rear Factory)  
Moorabbin VIC 3189  
Toll-free: 1800 DREDGE (373 343)  
Email: [info@dredgingservices.com.au](mailto:info@dredgingservices.com.au)  
Website: [www.dredgingservices.com.au](http://www.dredgingservices.com.au)

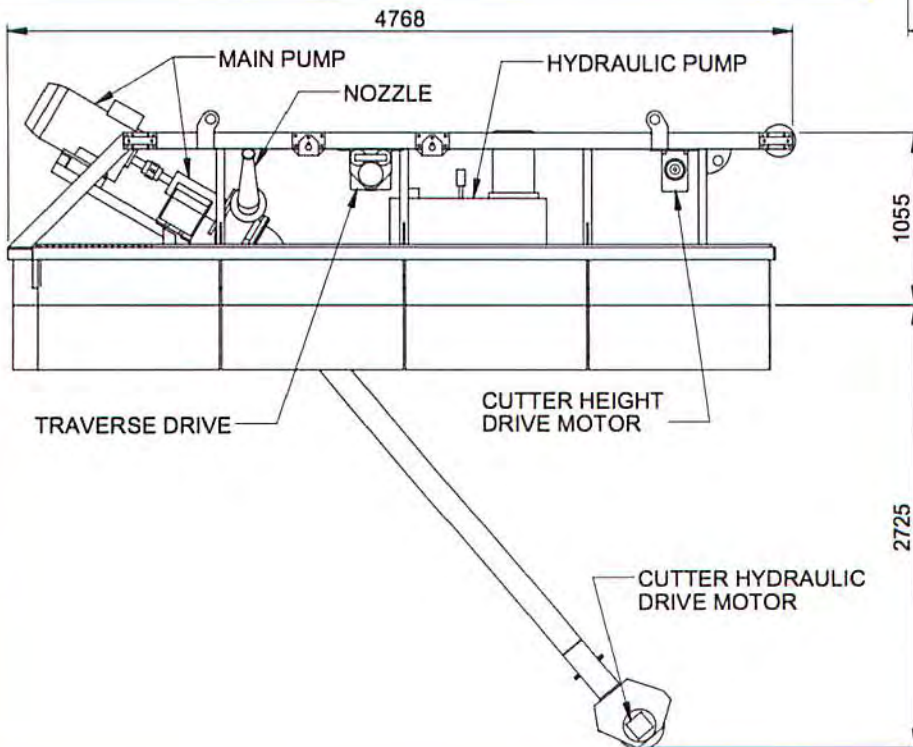
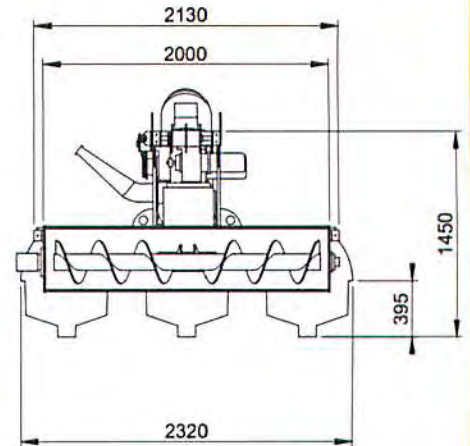
# CATFISH<sup>®</sup>

## MINI DREDGERS



### Advantages of Catfish™ Mini-Dredgers:

- Easily Transportable
- Can operate in shallow water
- Unmanned
- Remote-controlled
- The Catfish™ robotic dredge moves via winches on steel cables stretched across the water
- The sludge or tailings can be pumped into our sludge dewatering geobags for cost effective dewatering



← WATER LINE

